

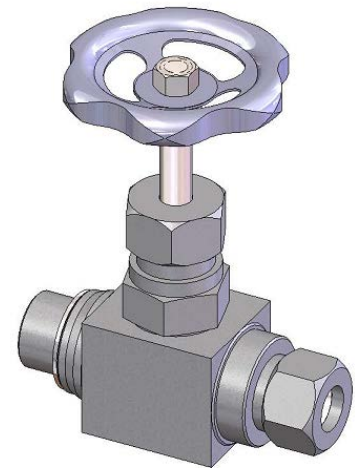
Drain valve type AV 100

Application and Function

The drain valve is used to drain instruments or to drain fillings of instruments. The area of application comprises with the entire product range of level gauges and float switches.

Technical Basic Equipment

- PN40 / DN 8
- Inlet: male thread G ½ BSP
- Outlet: Ferrule connection pipe \varnothing 12 mm
- Body material: Carbon steel as per DIN or ASME, (AV100)
- Inner parts of valve: Stainless steel
- Hand wheel: Bakelite



Reference Standard (Manufacturing Standard)

- End Connection: ASME B1.20.1
- Pressure Temp Rating: ASME B16.34
- INSP. TEST: BS EN ISO 12266 P1 API598

